

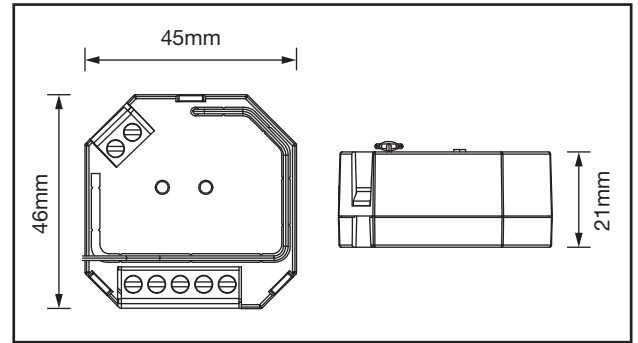
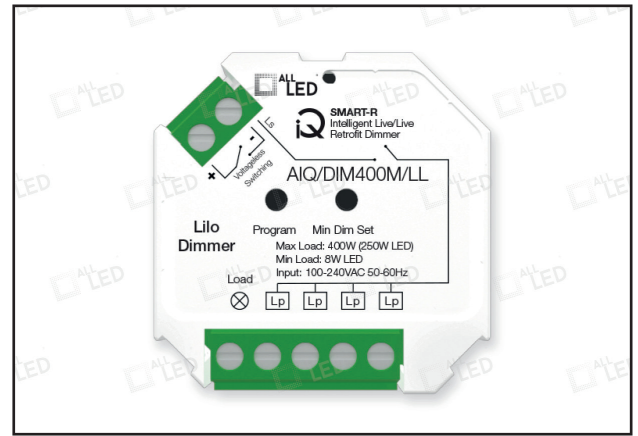
AiQ/DIM400M/LL

Smart-R - Dimmable Live/Live
Screw Terminal Module



PRODUCT FEATURES

- LiLo Technology for Live In & Live Out Wiring
- Works With Existing Wiring
- Retrofit Solution
- Works With A Normal Light Switch (AC Mains)
- User Friendly Reset & Programming From The Light Switch
- Works With 2 Way & Intermediate Switching
- Can Be Used Independently Or In Conjunction With A Smart Hub



TECHNICAL SPECIFICATIONS

PRODUCT CODE	AiQ/DIM400M/LL
Operating Voltage (V)	100-240VAC
Input Current (A) Max	1.84A Max
Max Output Power (W)	400W (Halogen); 250W (LED)
Output Voltage (Max)	100-240VAC
Power Factor	0.99
Efficiency %	94%
Network Standby Power (W)	0.37W
Class	II
Body Material	White Polymer
Ingress Protection	IP20
Ambient Operating Temperature (°C)	-20°C ~ +50°C
Guarantee	5 Years
Minimum Load*	7W



*May Require Load Stabiliser (AiQ/STLOAD) if <7W
ZigBee Hub Required for Smart Functionality
Hub Choice May Affect Product Functionality